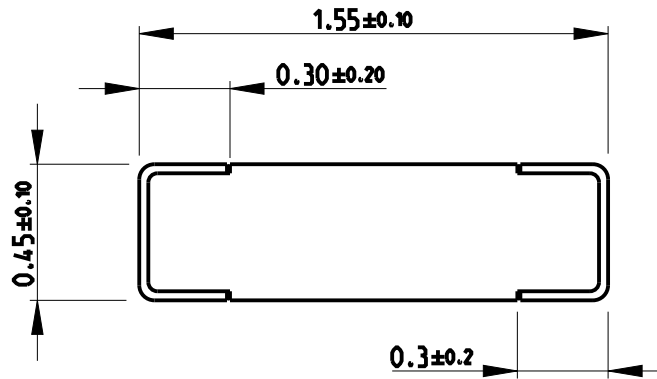


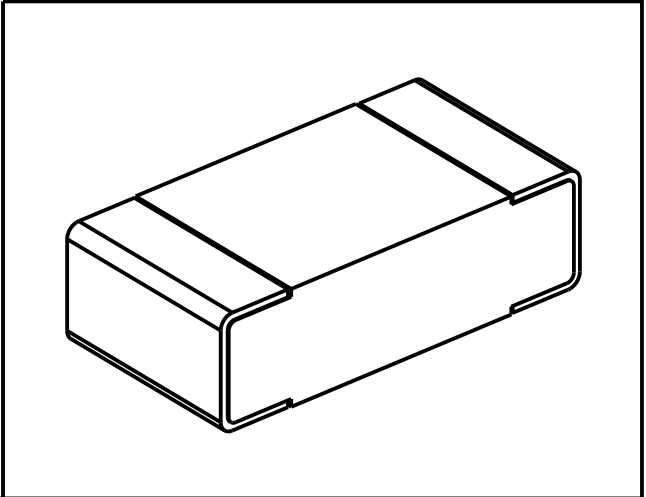
REVISIONS

P	LTR	DESCRIPTION	DATE	DWN	APVD
	BA1	ECR-14-009193	19JUN2014	KR	TN

FOR FURTHER INFORMATION SEE DATA SHEET FOR
CPF SERIES-THIN FILM PRECISION CHIP RESISTORS



RoHS Compliant



2008


RELEASED FOR PUBLICATION

ALL RIGHTS RESERVED.

BY -

© COPYRIGHT 2008

THIS DRAWING IS UNPUBLISHED.

DIMENSIONS: mm		DWN SUBHASH.M 29-Sep-08	MATERIAL	FINISH	
TOLERANCES UNLESS OTHERWISE SPECIFIED:		CHK PRAKASH.S 29-Sep-08	 TE Connectivity		
0 PLC ±0.2		APVD STEPHEN.P 29-Sep-08			
1 PLC ±0.1		PRODUCT SPEC	NAME THIN FILM PRECISION CHIP RESISTORS		
2 PLC ±		APPLICATION SPEC	SIZE CAGE CODE DRAWING NO RESTRICTED TO		
3 PLC ±		WEIGHT	A 4 00779 C-1879335		-
4 PLC ±			SCALE 40:1 SHEET 1 OF 1 REV BA1		
ANGLES 5°		Customer Drawing			

